

Minnesota
 Phone: 877-470-4263
 Fax: 507-282-6361
 Email: sales@amddistribution.com

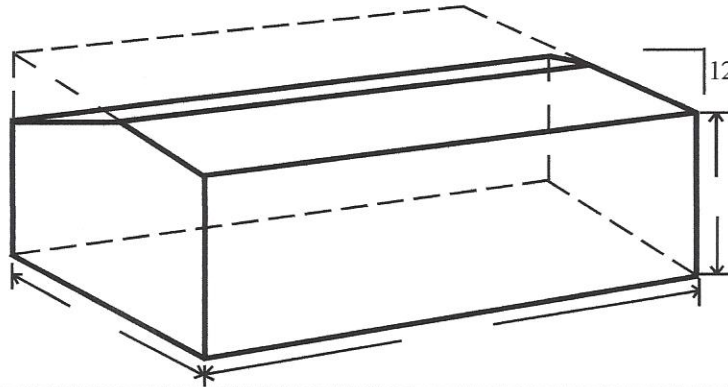


South Dakota
 Phone: 877-470-4263
 Fax: 507-282-6361
 Email: sales@amddistribution.com

Customer Name: _____
Address: _____
City/State/Zip: _____
Phone: _____
Fax: _____
Email: _____

Job Name: _____
Address: _____
City/State/Zip: _____
Expected Delivery Date: _____

Notes:



**Please fill in building information on the above sketch or use templates below
 Please Fax or Email the completed form to AMD for a quote**

Building #1

Width: _____ Length: _____ Low Eave: _____ Pitch: _____ /12 Slope: Single or Double _____ Split @ Ridge (y/n)? _____
 Roof Insulation Thickness: _____ Facing: _____ Tabs: _____ Starter Roll Width: _____ Primary Roll Widths _____
 Wall Insulation Thickness: _____ Facing: _____ Tabs: _____ Starter Roll Width: _____ Primary Roll Widths _____
 Deducts/Notes: _____

Building #2

Width: _____ Length: _____ Low Eave: _____ Pitch: _____ /12 Slope: Single or Double _____ Split @ Ridge (y/n)? _____
 Roof Insulation Thickness: _____ Facing: _____ Tabs: _____ Starter Roll Width: _____ Primary Roll Widths _____
 Wall Insulation Thickness: _____ Facing: _____ Tabs: _____ Starter Roll Width: _____ Primary Roll Widths _____
 Deducts/Notes: _____

Building #3

Width: _____ Length: _____ Low Eave: _____ Pitch: _____ /12 Slope: Single or Double _____ Split @ Ridge (y/n)? _____
 Roof Insulation Thickness: _____ Facing: _____ Tabs: _____ Starter Roll Width: _____ Primary Roll Widths _____
 Wall Insulation Thickness: _____ Facing: _____ Tabs: _____ Starter Roll Width: _____ Primary Roll Widths _____
 Deducts/Notes: _____

Roof Facings Available: WMP-VRR+; WMP10; WMP30; WMP50; Pek Proof; Simple Saver FP; Energy Craft; Poly
Wall Facings Available: WMP-VRR+; WMP10; WMP30; WMP50; Pek Proof; Energy Craft; Poly
Tabs Available: One 6" Tab w/ or w/o Tape; Two 3" Tabs w/ or w/o Tape; Long Tabs 12" or 15"
Insulation Thicknesses Available: R8-2"; R10-3"; R11-3.5"; R13-4"; R19-6"; R25-8"; R30-9.5"
Insulation Roll Widths Available in most R-Values: 3ft; 4ft; 5ft; 6ft; 8ft
Insulation Accessories Available: Banding; Insulhold; Thermal Break Tape; Double Sided Tape; Patch Tape; Adhesives; Poly

Simple Saver System®
 with Patented OSHA Compliant Fall Protection



It's not "just insulation" to us!